

## BMF120 AC Axial fan

The features of Axial Fan are of small installation depth, low noise and high efficiency, which is especially suitable for air flow in heat exchangers. EC technology will change the application of axial flow fans, making it more intelligent and suitable for a wider range of applications.

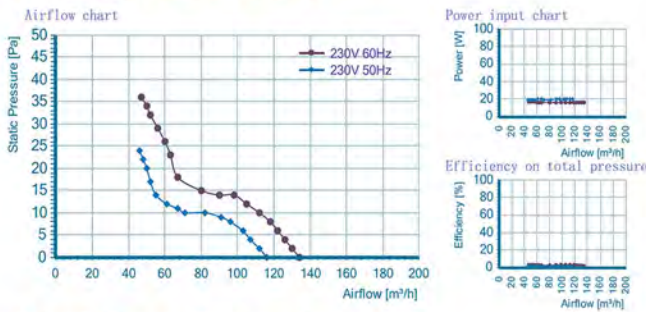
EC Axial Fan is of compact structure, available in a variety of types, sizes and air performance levels. With a variety of interfaces, the operating status of the fan can be monitored in real time via Modbus RS485.

Applications: Ventilation, air conditioning and refrigeration technology, wind power and mechanical engineering, precision machining equipment industry

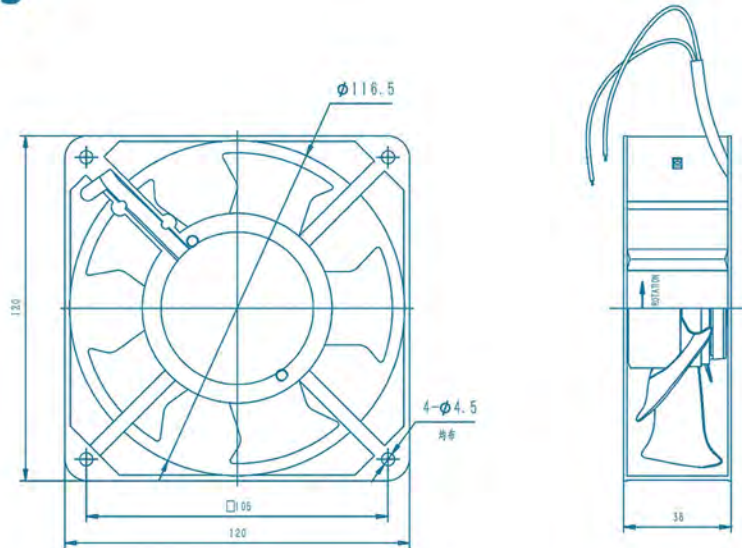
Customized manufacturing available



## Flow Rate Curve



## Outline Drawing



## Specifications

Model	Size (mm)	Poles	Voltage (V)	Frequency (Hz)	Input Power (W)	Current (A)	Max airflow (m3/h)	Speed (rpm)	Noise (dBA)	Amb.temp.perm (°C)	Mass (Kg)
BMF120	120	2	230	50/60	21	0.13	130	3000	57	-25~+50	0.4

## BMF200 AC Axial fan

The features of Axial Fan are of small installation depth, low noise and high efficiency, which is especially suitable for air flow in heat exchangers. EC technology will change the application of axial flow fans, making it more intelligent and suitable for a wider range of applications.

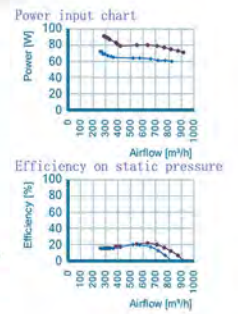
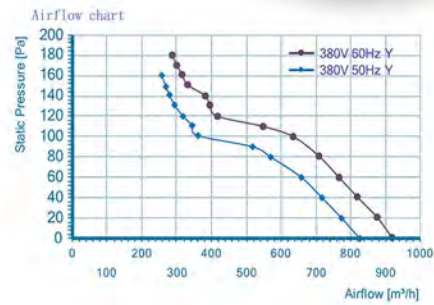
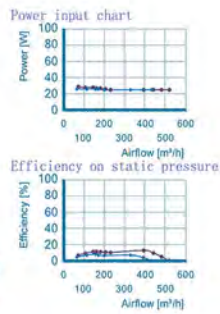
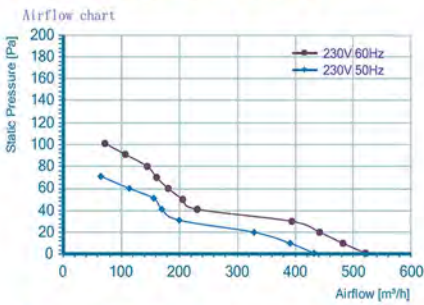
EC Axial Fan is of compact structure, available in a variety of types, sizes and air performance levels. With a variety of interfaces, the operating status of the fan can be monitored in real time via Modbus RS485.

Applications: Ventilation, air conditioning and refrigeration technology, wind power and mechanical engineering, precision machining equipment industry

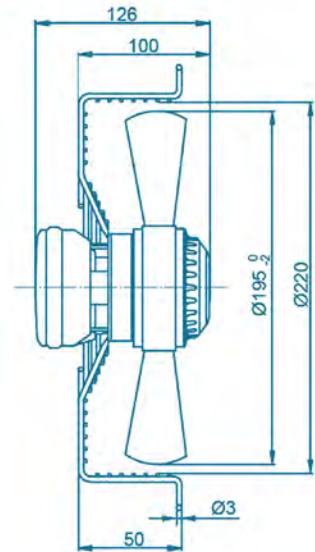
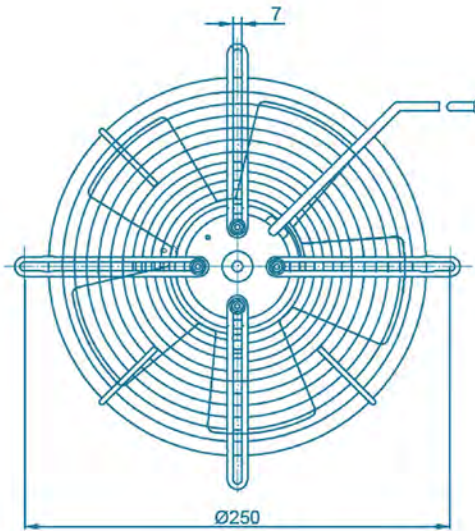
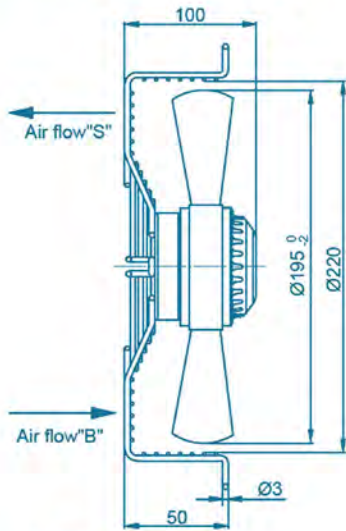
Customized manufacturing available



## Flow Rate Curve



## Outline Drawing



## Specifications

Model	Size (mm)	Poles	Voltage (V)	Frequency (Hz)	Power Input (W)	Current (A)	Max airflow (m³/h)	Speed (rpm)	Noise (dBA)	Amb.temp.perm. (°C)	Mass (Kg)
BMF-200-1	200	2	230	50/60	80/95	0.35/0.42	870/1000	2700/3200	60/65	-25~+65	1.9
BMF-200-2	200	2	380	50/60	70/90	0.16	870/1000	2650/3000	60/64	-25~+75	1.9

## BMF250 AC Axial fan

The features of Axial Fan are of small installation depth, low noise and high efficiency, which is especially suitable for air flow in heat exchangers. EC technology will change the application of axial flow fans, making it more intelligent and suitable for a wider range of applications.

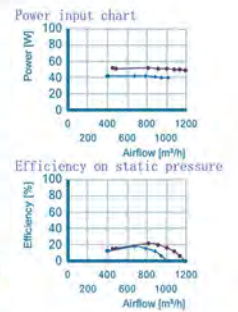
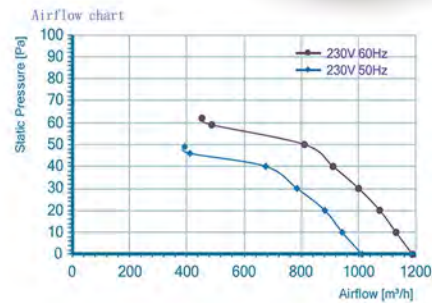
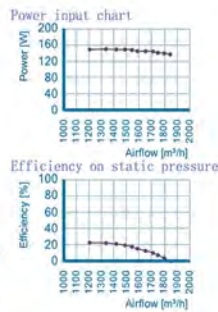
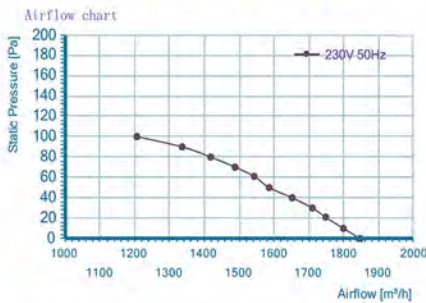
EC Axial Fan is of compact structure, available in a variety of types, sizes and air performance levels. With a variety of interfaces, the operating status of the fan can be monitored in real time via Modbus RS485.

Applications: Ventilation, air conditioning and refrigeration technology, wind power and mechanical engineering, precision machining equipment industry

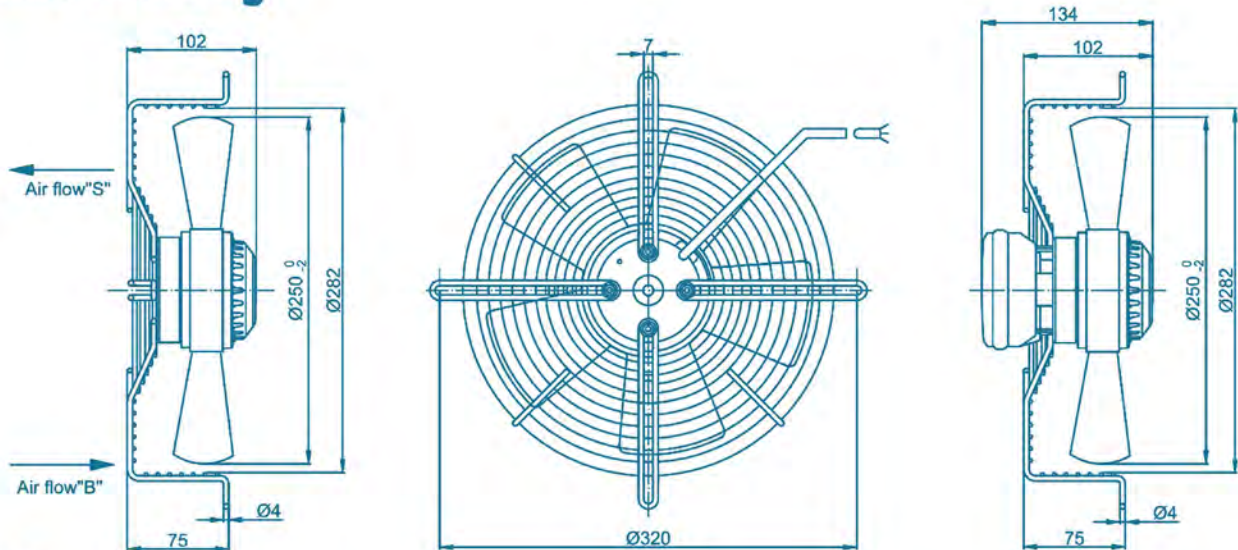
Customized manufacturing available



## Flow Rate Curve



## Outline Drawing



## Specifications

Model	Size (mm)	Poles	Voltage (V)	Frequency (Hz)	Power Input (W)	Current (A)	Max airflow (m³/h)	Speed (rpm)	Noise (dBA)	Amb.temp.perm. (°C)	Mass (Kg)
BMF-250-1	250	2	230	50	180	0.78	1800	2500	68	-25~+65	3
BMF-250-2	250	4	230	50/60	50/65	0.22/0.29	1000/1150	1380/1530	50/55	-25~+75	2.5

## BMF300 AC Axial fan

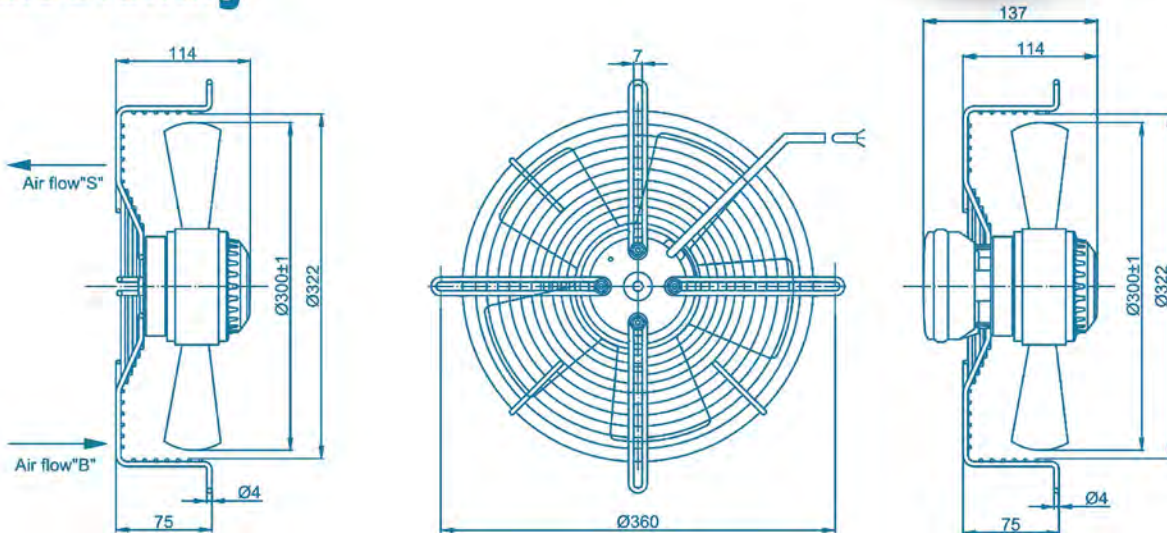
low-noise centrifugal fan with front curved blades, which has low noise, relatively small airflow, and a large increase in static pressure, to save space.

Applications: compact air handling units, air curtains, fan coil units, air heaters for factory buildings or cooling fans for forced cooling power converters, generators or telecommunications systems.

Customized manufacturing available



## Outline Drawing



## Specifications

Model	Size (mm)	Poles	Voltage (V)	Frequency (Hz)	Input Power (W)	Current (A)	Max airflow (m <sup>3</sup> /h)	Speed (rpm)	Noise (dBA)	Amb.temp.perm (°C)	Mass (Kg)	Insulation	IP class	Direction
BMF300-1	300	2	380	50	250	0.45	2760/3000	2500	72	-25~+65	4.7	F	IP54	Blow
BMF300-2	300	2	380	50	250	0.45	2760/3000	2500	72	-25~+65	4.7	F	IP54	Suction
BMF300-3	300	2	380	50/60	200/250	0.33/0.40	2250/2600	2600/2900	70/73	-25~+65	4.7	F	IP54	Blow
BMF300-4	300	2	230	50	250	1.1	3000	2530	70	-25~+65	4.7	F	IP54	Blow
BMF300-5	300	2	230	50/60	200/270	0.9/1.2	2300/2700	2750/3140	72/75	-25~+65	4.7	F	IP54	Blow
BMF300-6	300	2	220	50	300/240/230	1.36/1.1/1.0	2750	2800/2600/2400	72	-25~+50	4.7	F	IP54	Suction
BMF300-7	300	2	220	50	300	1.38	2750	2800	72	-25~+65	4.7	F	IP54	Suction
BMF300-8	300	4	220	60	125	0.45	2100	1550	60	-25~+60	4	F	IP54	Blow
BMF300-9	300	4	380	50/60	95/120	0.26/0.24	1950/2150	1400/1600	55/60	-25~+65	4	F	IP54	Blow
BMF300-10	300	4	230	50/60	90/115	0.38/0.48	1900/2100	1370/1500	55/60	-25~+65	3.2	F	IP54	Blow
BMF300-11	300	4	230	50/60	90/115	0.38/0.48	1900/2100	1370/1500	55/60	-25~+65	5.3	F	IP54	Blow
BMF300-12	300	4	230	50/60	90/115	0.38/0.48	1900/2100	1370/1500	55/60	-60~+65	5.3	F	IP54	Blow
BMF300-13	300	4	230	50/60	90/115	0.38/0.48	1900/2100	1370/1500	55/60	-60~+65	5.3	F	IP54	Suction
BMF300-14	300	4	230	50/60	90/115	0.38/0.48	1900/2100	1370/1500	55/60	-25~+65	6.1	F	IP54	Blow
BMF300-15	300	4	230	50/60	90/115	0.38/0.48	1900/2100	1370/1500	55/60	-25~+65	3.2	F	IP54	Suction

## BMF315 AC Axial fan

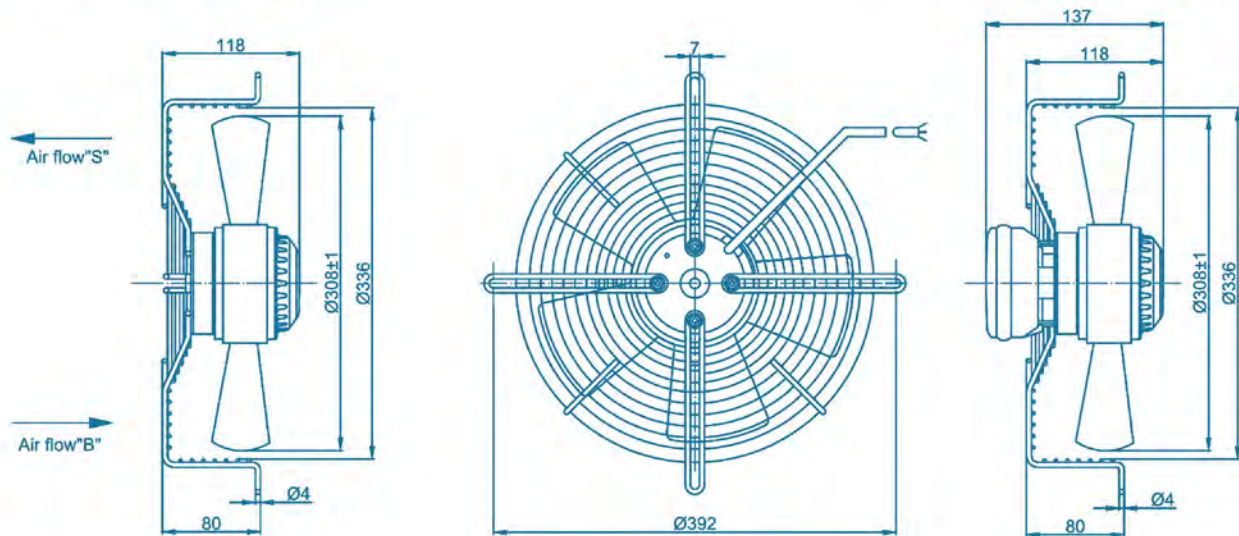
low-noise centrifugal fan with front curved blades, which has low noise, relatively small airflow, and a large increase in static pressure, to save space.

Applications: compact air handling units, air curtains, fan coil units, air heaters for factory buildings or cooling fans for forced cooling power converters, generators or telecommunications systems.

Customized manufacturing available



## Outline Drawing



## Specifications

Model	Size (mm)	Poles	Voltage (V)	Frequency (Hz)	Input Power (W)	Current (A)	Max airflow (m <sup>3</sup> /h)	Speed (rpm)	Noise (dBA)	Amb.temp.perm (°C)	Mass (Kg)	Insulation	IP class	Direction
BMF315-1	315	4	380	50/60	110/125	0.25/0.22	2000/2300	1400/1600	60/65	-25~+65	3.3	F	IP54	Blow
BMF315-2	315	4	230	50/60	100/130	0.5/0.6	2000/2300	1400/1600	60/65	-25~+65	3.3	F	IP54	Blow
BMF315-3	315	4	400/460	50/60	100/120/130	0.24/0.22/0.21	2000/2300/2350	1410/1620/1640	60/65	-25~+60	3.3	F	IP54	Suction

## BMF350 AC Axial fan

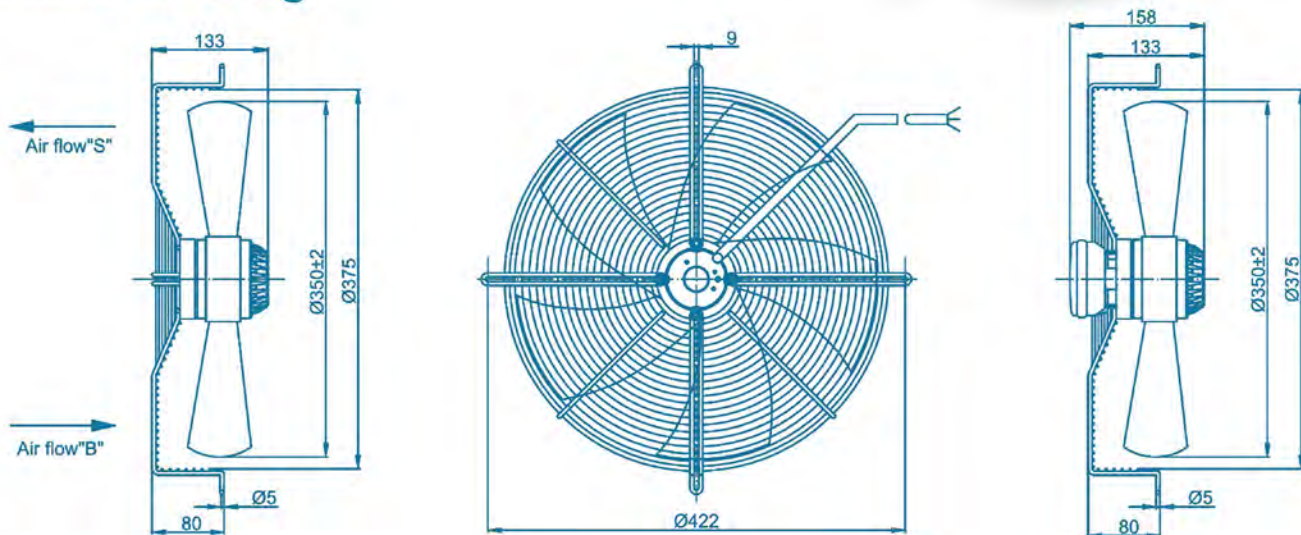
low-noise centrifugal fan with front curved blades, which has low noise, relatively small airflow, and a large increase in static pressure, to save space.

Applications: compact air handling units, air curtains, fan coil units, air heaters for factory buildings or cooling fans for forced cooling power converters, generators or telecommunications systems.

Customized manufacturing available



## Outline Drawing



## Specifications

Model	Size (mm)	Poles	Voltage (V)	Frequency (Hz)	Input Power (W)	Current (A)	Max airflow (m <sup>3</sup> /h)	Speed (rpm)	Noise (dBA)	Amb. temp. per m (°C)	Mass (Kg)	Insulation	IP class	Direction
BMF350-1	350	4	220	50/60	145/185	0.64/0.61	2700/3000	1390/1560	63/67	-25~+60	4.7	F	IP54	Blow
BMF350-2	350	4	380	50	145	0.37	3110	1390	63	-25~+65	4.7	F	IP54	Blow
BMF350-3	350	4	400/380/460	50/60	250/350/400	0.55/0.6/0.62	3500/4000/4200	1410/1600/1650	68/72	-25~+50	6	F	IP54	Blow
BMF350-4	350	4	400	50/60	250/350	0.55/0.6	3500/4100	1410/1600	67/69	-25~+65	4.7	F	IP54	Blow
BMF350-5	350	4	380	50/60	145/185	0.30/0.33	2700/3000	1390/1580	63/67	-25~+65	4.7	F	IP54	Suction
BMF350-6	350	4	230	50	138	0.68	2900	1370	62	-25~+65	4.7	F	IP54	Blow
BMF350-7	350	4	230	50	138	0.68	2900	1370	62	-25~+65	7.3	F	IP54	Suction
BMF350-8	350	4	230	50/60	138/190	0.68/0.82	2700/3000	1380/1590	62/67	-25~+65	4.7	F	IP54	Blow
BMF350-9	350	4	230	50/60	220/310	1.0/1.4	3400/4070	1400/1650	67/72	-25~+60	6.1	F	IP54	Suction
BMF350-10	350	4	460	60	395	0.65	4100	1660	74	-25~+50	4.7	F	IP54	Suction
BMF350-11	350	4	220/380/440	50/60	145/185/160/200	0.53/0.57/0.30/ 0.33/0.40/0.36	2700/3000	1390/1580/ 1410/1640	63/67	-25~+60	4.7	F	IP54	Suction
BMF350-12	350	6	400	50/60	90/95	0.29/0.24	2100/2400	940/1100	53/58	-25~+65	4.7	F	IP54	Blow
BMF350-13	350	6	230	50/60	80/95	0.4/0.42	2100/2450	930/1100	53/58	-25~+65	4.7	F	IP54	Blow

## BMF400 AC Axial fan

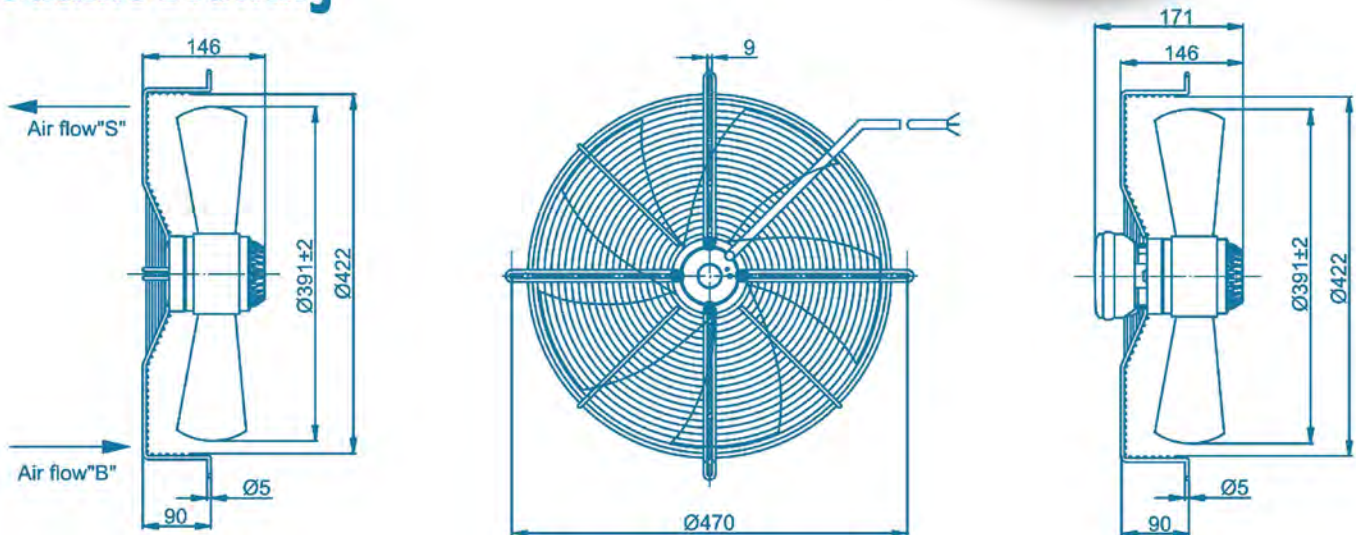
low-noise centrifugal fan with front curved blades, which has low noise, relatively small airflow, and a large increase in static pressure, to save space.

Applications: compact air handling units, air curtains, fan coil units, air heaters for factory buildings or cooling fans for forced cooling power converters, generators or telecommunications systems.

Customized manufacturing available



## Outline Drawing



## Specifications

Model	Size (mm)	Poles	Voltage (V)	Frequency (Hz)	Input Power (W)	Current (A)	Max airflow (m <sup>3</sup> /h)	Speed (rpm)	Noise (dBA)	Amb.temp.perm (°C)	Mass (Kg)	Insulation	IP class	Direction
BMF400-1	400	4	220	50/60	190/260	0.80/0.83	3650/4150	1390/1590	67/72	-25~+65	6.1	F	IP54	Blow
BMF400-2	400	4	380	50	190	0.48	3900	1380	67	-25~+65	6.1	F	IP54	Blow
BMF400-3	400	4	380	50	270	0.55	4500	1380	68	-25~+50	10.1	F	IP54	Blow
BMF400-4	400	4	380	50	190	0.48	3900	1380	67	-25~+65	9.3	F	IP54	Suction
BMF400-5	400	4	380	50/60	190/260	0.46/0.48	3650/4150	1390/1590	67/72	-25~+65	6.1	F	IP54	Blow
BMF400-6	400	4	400	50	270	0.55	4500	1380	68	-25~+50	6.1	F	IP54	Blow
BMF400-7	400	4	230	50	180	0.81	3900	1350	67	-25~+65	6.1	F	IP54	Blow
BMF400-8	400	4	230	50	180	0.81	3900	1350	67	-25~+65	9	F	IP54	Blow
BMF400-9	400	4	230	50/60	180/260	0.81/1.15	3650/4150	1390/1590	67/72	-25~+65	6.1	F	IP54	Blow
BMF400-10	400	4	220/380	50/60	190/260	0.80/1.0/ 0.48/0.60	3650/4150	1390/1590	67/72	-25~+65	6.1	F	IP54	Suction
BMF400-11	400	4	230/400	50/60	200/270	0.82/1.1/ 0.51/0.62	3650/4150	1390/1590	67/72	-25~+65	6.1	F	IP54	Blow
BMF400-12	400	6	380	50/60	115/150	0.36/0.31	2900/3300	900/1000	60/61	-25~+60	6.1	F	IP54	Blow
BMF400-13	400	6	230	50/60	115/150	0.67/0.75	2900/3400	940/1080	58/61	-25~+60	6.1	F	IP54	Blow
BMF400-14	400	6	220/380	50/60	115/150	0.62/0.54/ 0.36/0.31	2900/3100	900/1000	60/61	-25~+60	6.1	F	IP54	Suction

## BMF420 AC Axial fan

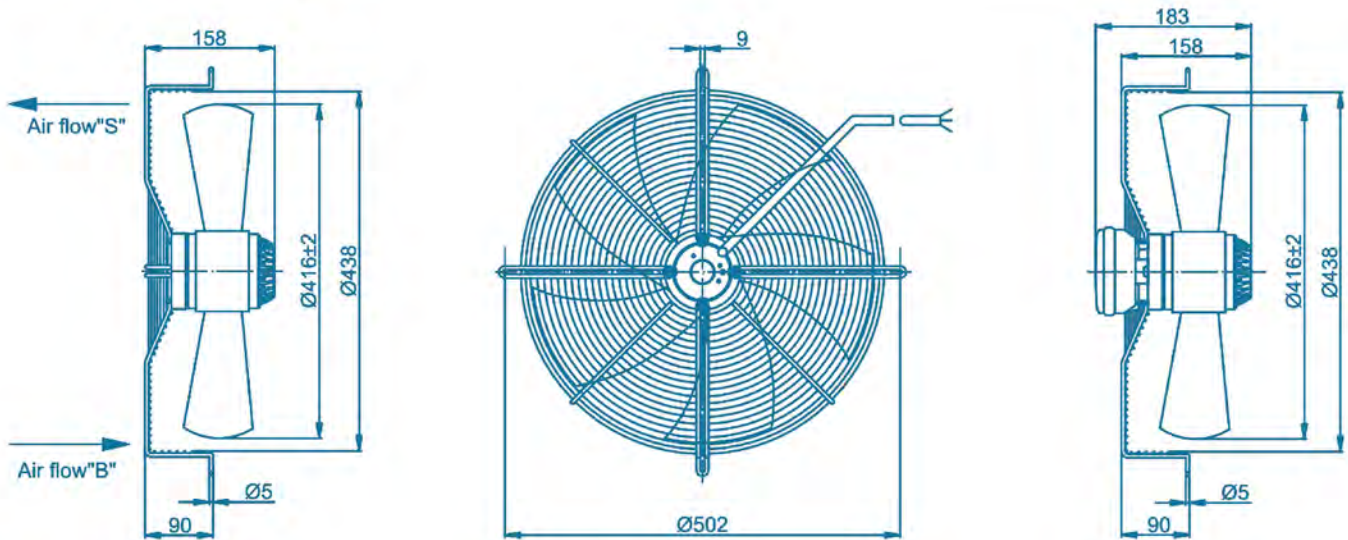
low-noise centrifugal fan with front curved blades, which has low noise, relatively small airflow, and a large increase in static pressure, to save space.

Applications: compact air handling units, air curtains, fan coil units, air heaters for factory buildings or cooling fans for forced cooling power converters, generators or telecommunications systems.

Customized manufacturing available



## Outline Drawing



## Specifications

Model	Size (mm)	Poles	Voltage (V)	Frequency (Hz)	Input Power (W)	Current (A)	Max airflow (m <sup>3</sup> /h)	Speed (rpm)	Noise (dBA)	Amb.temp.perm (°C)	Mass (Kg)	Insulation	IP class	Direction
BMF420-1	420	4	400	50	430/260	0.75/0.41	5200/4400	1350/1150	70/65	-25~+60	8	F	IP54	Blow
BMF420-2	420	4	400	50	240	0.55	4200	1380	68	-25~+50	9.6	F	IP54	Blow
BMF420-3	420	4	230	50/60	250/340	1.15/1.5	4200/4700	1380/1550	68/73	-25~+55	6.7	F	IP54	Blow
BMF420-4	420	4	230/380/460	60	230/230/250	0.8/0.45/0.48	3830/3900	1650/1630/1690	70	-25~+50	9.6	F	IP54	Blow
BMF420-5	420	6	230	50/60	150/185	0.68/0.82	3100/3500	900/1000	60/63	-25~+55	6.7	F	IP54	Blow



## BMF450 AC Axial fan

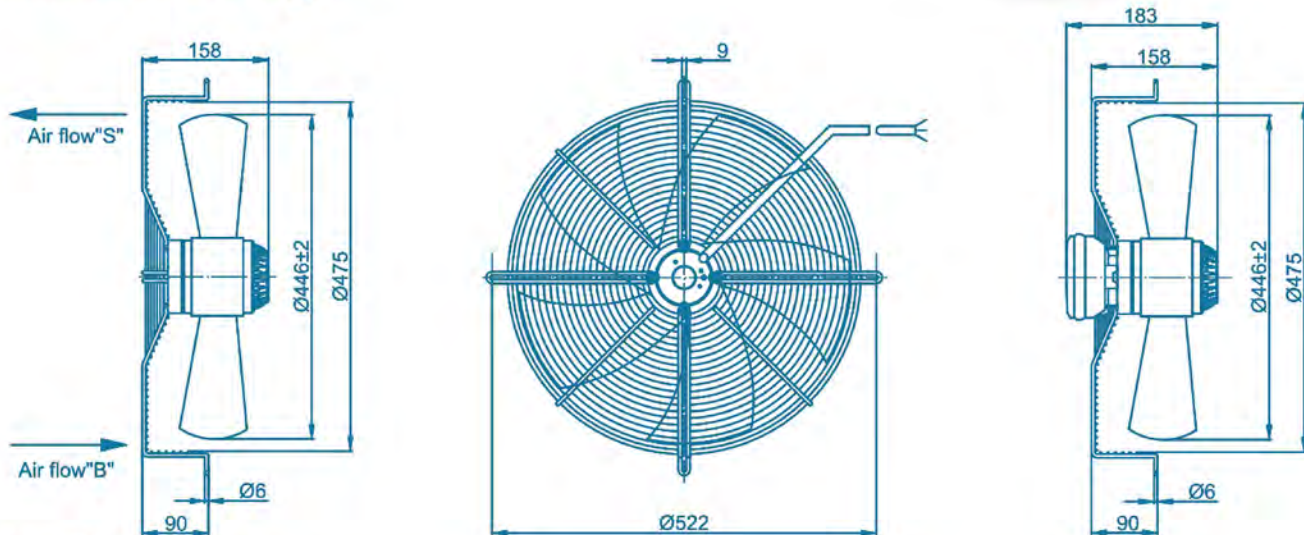
low-noise centrifugal fan with front curved blades, which has low noise, relatively small airflow, and a large increase in static pressure, to save space.

Applications: compact air handling units, air curtains, fan coil units, air heaters for factory buildings or cooling fans for forced cooling power converters, generators or telecommunications systems.

Customized manufacturing available



## Outline Drawing



## Specifications

Model	Size (mm)	Poles	Voltage (V)	Frequency (Hz)	Input Power (W)	Current (A)	Max airflow (m <sup>3</sup> /h)	Speed (rpm)	Noise (dBA)	Amb. temp. perm (°C)	Mass (Kg)	Insulation	IP class	Direction
BMF450-1	450	4	380	50	250	0.58	5000	1400	68	-25~+55	6.9	F	IP54	Blow
BMF450-2	450	4	400	50	480	1.15	6600	1400	68	-25~+50	19.4	F	IP54	Blow
BMF450-3	450	4	380	50	250	0.58	5000	1400	68	-25~+55	10.5	F	IP54	Suction
BMF450-4	450	4	380	50	460	0.82	6200	1320	68	-25~+55	8.5	F	IP54	Blow
BMF450-5	450	4	380	50/60	250/350	0.53/0.57	4400/5100	1410/1630	68/73	-25~+60	6.9	F	IP54	Blow
BMF450-6	450	4	400	50/60	560/780	1.2/1.4	6500/7400	1400/1600	68/73	-25~+50	16	F	IP54	Suction
BMF450-7	450	4	230	50	250	1.15	5100	1380	71	-25~+55	6.9	F	IP54	Blow
BMF450-8	450	4	230	50	250	1.15	5100	1380	71	-25~+55	10.5	F	IP54	Blow
BMF450-9	450	4	230	50/60	250/360	1.15/1.6	4400/5200	1430/1660	71/74	-25~+50	6.9	F	IP54	Blow
BMF450-10	450	4	400/460	50/60	510/900	1.15/1.44	6600/7750	1400/1630	68/73	-25~+55	10.5	F	IP54	Blow
BMF450-11	450	4	400	50/60	480/800	1.15/1.35	6780/7750	1400/1550	68/73	-25~+55	11	F	IP54	Suction
BMF450-12	450	4	400/400/460	50/60	480/730/770	1.15/1.35/1.3	5880/6960/7030	1400/1600/1640	73	-25~+50	16	F	IP54	Blow
BMF450-13	450	4	220/380	50/60	250/350	1.08/1.2/0.6/0.65	4400/5200	1380/1630	68/73	-25~+60	6.9	F	IP54	Suction
BMF450-14	450	6	380	50/60	150/180	0.48/0.46	3450/3850	930/1050	62/65	-25~+55	6.9	B	IP54	Blow
BMF450-15	450	6	230	50/60	150/185	0.68/0.82	3300/3900	900/1050	60/65	-25~+55	6.9	F	IP54	Blow
BMF450-16	450	6	230	50/60	200/285	0.86/1.25	4600/5000	900/1000	60/63	-25~+55	8.5	F	IP54	Blow
BMF450-17	450	6	220/380	50/60	150/180	0.83/0.80/0.48/0.46	3450/3850	930/1050	62/65	-25~+55	6.9	F	IP54	Suction

## BMF500 AC Axial fan

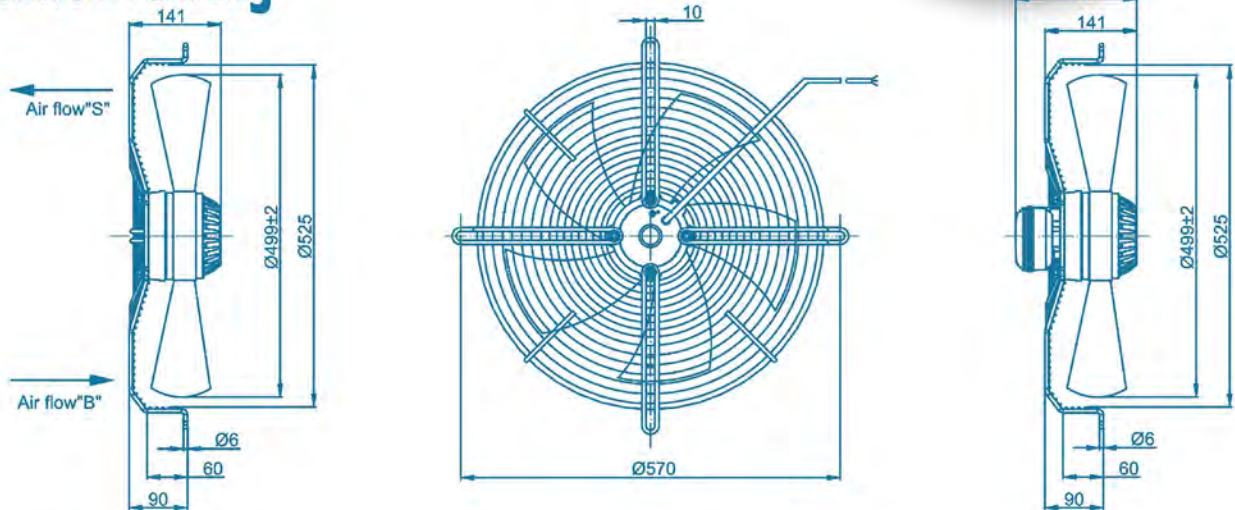
low-noise centrifugal fan with front curved blades, which has low noise, relatively small airflow, and a large increase in static pressure, to save space.

Applications: compact air handling units, air curtains, fan coil units, air heaters for factory buildings or cooling fans for forced cooling power converters, generators or telecommunications systems.

Customized manufacturing available



## Outline Drawing



## Specifications

Model	Size (mm)	Poles	Voltage (V)	Frequency (Hz)	Input Power (W)	Current (A)	Max airflow (m <sup>3</sup> /h)	Speed (rpm)	Noise (dBA)	Amb. temp. perm (°C)	Mass (Kg)	Insulation	IP class	Direction
BMF500-1	500	4	220	50	450	1.6	7000	1320	72	-25~+50	9.5	F	IP54	Blow
BMF500-2	500	4	220	60	550	1.62	6750	1550	76	-25~+50	9.5	F	IP54	Suction
BMF500-3	500	4	380	50	450	0.93	6800	1320	73	-25~+50	9.5	F	IP54	Blow
BMF500-4	500	4	400	50	370	0.77	5850	1340	70	-25~+50	15.5	F	IP54	Suction
BMF500-5	500	4	400	50	860	1.98	8400	1370	78	-25~+80	10.5	F	IP54	Suction
BMF500-6	500	4	400	50	670	1.6	8200	1410	78	-25~+50	11	F	IP54	Blow
BMF500-7	500	4	400	50	670	1.6	8200	1410	76	-30~+50	12	B	IP54	Blow
BMF500-8	500	4	400	50	670	1.6	8200	1410	78	-25~+50	11	F	IP54	Suction
BMF500-9	500	4	380	60	550	0.93	6750	1550	76	-25~+50	9.5	F	IP54	Blow
BMF500-10	500	4	400	50	900	2.3	8900	1420	79	-25~+50	11	F	IP54	Blow
BMF500-11	500	4	230	50	420	1.85	7000	1320	72	-25~+50	9.5	F	IP54	Blow
BMF500-12	500	4	230	50	420	1.85	7000	1320	72	-25~+50	15.5	F	IP54	Blow
BMF500-13	500	4	230	60	550	2.5	6750	1590	76	-25~+50	9.5	F	IP54	Blow
BMF500-14	500	4	230/380/460	60	420/410/450	1.3/0.77/0.8	5850/6000	1600/1590/1650	68	-25~+50	11	F	IP54	Suction
BMF500-15	500	6	380	50/60	250/320	0.78/0.65	5300/6150	920/1060	67/69	-25~+50	9.5	F	IP54	Blow
BMF500-16	500	6	380	50/60	250/320	0.78/0.65	5300/6150	920/1060	67/69	-25~+50	15.5	F	IP54	Suction
BMF500-17	500	6	380	50/60	250/320	0.78/0.65	5300/6150	920/1060	67/69	-25~+50	15.5	F	IP54	Suction
BMF500-18	500	6	230	50/60	230/320	1.15/1.4	5400/6200	920/1050	67/69	-25~+50	9.5	F	IP54	Blow
BMF500-19	500	6	220/380	50/60	250/320	1.35/1.13/0.78/0.65	5200/6150	920/1060	67/69	-25~+50	9.5	F	IP54	Suction
BMF500-20	500	8	230	50/60	110/150	0.48/0.7	3900/4500	650/730	64/66	-25~+60	9.5	F	IP54	Blow

## BMF550 AC Axial fan

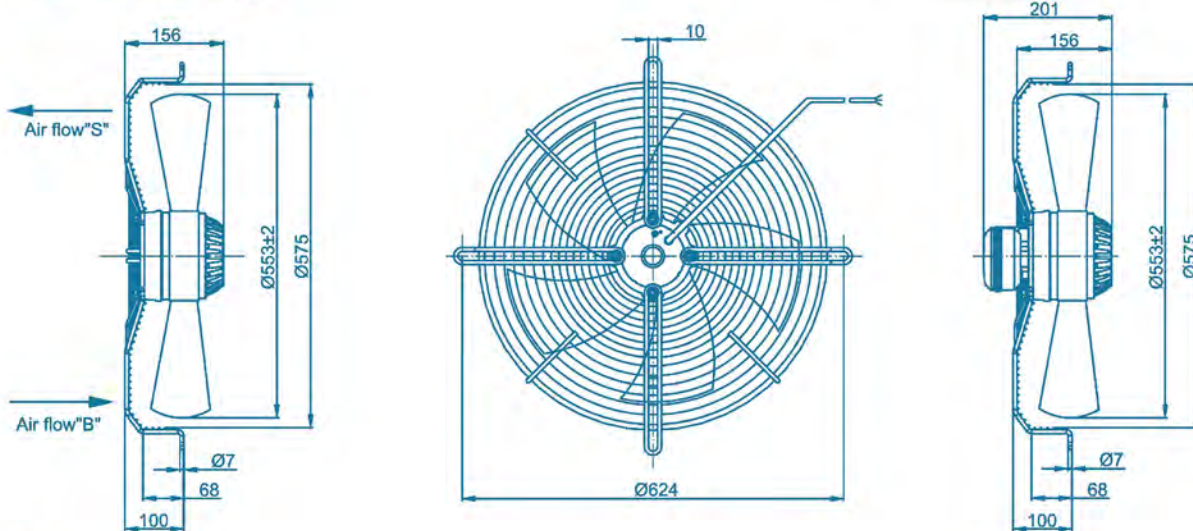
low-noise centrifugal fan with front curved blades, which has low noise, relatively small airflow, and a large increase in static pressure, to save space.

Applications: compact air handling units, air curtains, fan coil units, air heaters for factory buildings or cooling fans for forced cooling power converters, generators or telecommunications systems.

Customized manufacturing available



## Outline Drawing



## Specifications

Model	Size (mm)	Poles	Voltage (V)	Frequency (Hz)	Input Power (W)	Current (A)	Max airflow (m <sup>3</sup> /h)	Speed (rpm)	Noise (dBA)	Amb.temp.perm (°C)	Mass (Kg)	Insulation	IP class	Direction
BMF550-1	550	4	380	50	650	1.2	8500	1300	74	-25~+50	10.5	F	IP54	Blow
BMF550-2	550	4	380	50	650	1.2	8500	1300	74	-25~+50	17.5	F	IP54	Suction
BMF550-3	550	4	380	50	650	1.2	8500	1300	74	-25~+50	17.5	F	IP54	Suction
BMF550-4	550	4	380	60	750	1.25	8700	1500	78	-25~+50	10.5	F	IP54	Blow
BMF550-5	550	4	380	50	800	1.65	9800	1350	75	-25~+50	11	F	IP54	Blow
BMF550-6	550	4	230	50	550	2.45	8500	1310	74	-25~+50	10.5	F	IP54	Blow
BMF550-7	550	4	230	50	550	2.45	8500	1310	74	-25~+50	17.5	F	IP54	Blow
BMF550-8	550	4	230	60	720	3.1	8750	1500	78	-25~+50	10.5	F	IP54	Blow
BMF550-9	550	4	220/380/440	50/60	550/750/580/780	1.73/2.16/ 1.0/1.25/ 1.05/1.3	8700	1320/1500/1 350/1550	78	-25~+50	10.5	F	IP54	Blow
BMF550-10	550	4	220/380/440	50/60	550/750/580/780	1.73/2.16/ 1.0/1.25/ 1.05/1.3	8700	1320/1500/1 350/1550	78	-25~+50	10.5	F	IP54	Suction
BMF550-11	550	6	380	50/60	330/410	0.87/0.87	6200/7200	900/1070	67/68	-25~+50	10.5	F	IP54	Blow
BMF550-12	550	6	230	50/60	330/420	1.68/1.83	6150/7200	910/1080	67/68	-25~+50	10.5	F	IP54	Blow
BMF550-13	550	6	220/380	50/60	330/410	1.50/1.50	6200/7100	900/1070	67/68	-25~+50	10.5	F	IP54	Suction
BMF550-14	550	8	380	50/60	160/200	0.41/0.43	4550/5200	630/730	65/67	-25~+60	10.5	F	IP54	Blow
BMF550-15	550	8	230	50/60	120/165	0.55/0.75	4500/5150	630/730	65/67	-25~+60	10.5	F	IP54	Blow

## BMF600 AC Axial fan

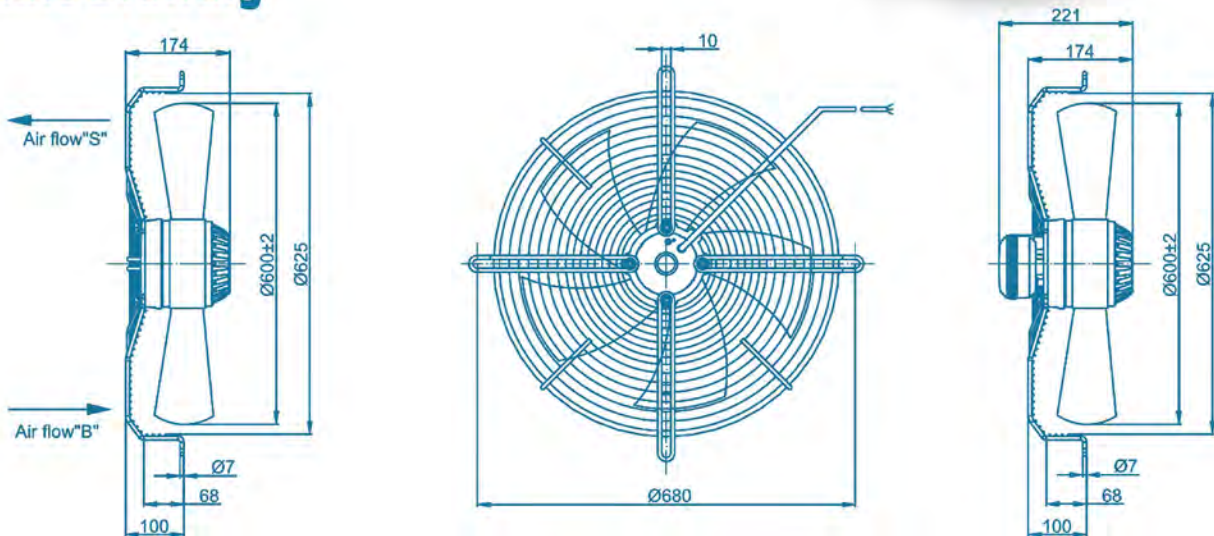
low-noise centrifugal fan with front curved blades, which has low noise, relatively small airflow, and a large increase in static pressure, to save space.

Applications: compact air handling units, air curtains, fan coil units, air heaters for factory buildings or cooling fans for forced cooling power converters, generators or telecommunications systems.

Customized manufacturing available



## Outline Drawing



## Specifications

Model	Size (mm)	Poles	Voltage (V)	Frequency (Hz)	Input Power (W)	Current (A)	Max airflow (m <sup>3</sup> /h)	Speed (rpm)	Noise (dBA)	Amb.temp.perm (°C)	Mass (Kg)	Insulation	IP class	Direction
BMF600-1	600	4	380	50	860	1.95	10800	1365	79	-25~+50	15	F	IP54	Blow
BMF600-2	600	4	380	50	860	1.95	10800	1365	79	-25~+50	23.2	F	IP54	Suction
BMF600-3	600	4	380	50	860	1.95	10800	1365	79	-25~+50	23.2	F	IP54	Suction
BMF600-4	600	4	380	50	860	1.95	10800	1365	79	-25~+50	18	F	IP54	Blow
BMF600-5	600	4	380	60	950	1.7	9700	1580	79	-25~+50	15	F	IP54	Blow
BMF600-6	600	4	230	50	810	3.5	10300	1315	76	-25~+50	15	F	IP54	Blow
BMF600-7	600	4	230	60	950	4.15	10650	1550	79	-25~+50	15	F	IP54	Blow
BMF600-8	600	6	380	50/60	550/600	1.57/1.3	8100/9500	920/1070	70/72	-25~+50	15	F	IP54	Blow
BMF600-9	600	6	220/380	50/60	550/600	2.7/2.3/ 1.57/1.3	8100/9500	920/1070	70/72	-25~+50	15	F	IP54	Suction
BMF600-10	600	8	380	50/60	170/210	0.4/0.43	5100/5700	630/680	68/69	-25~+60	12.5	F	IP54	Blow
BMF600-11	600	8	230	50/60	120/160	0.5/0.7	4800/5400	650/710	67/68	-25~+60	12.5	F	IP54	Blow

## BMF630 AC Axial fan

low-noise centrifugal fan with front curved blades, which has low noise, relatively small airflow, and a large increase in static pressure, to save space.

Applications: compact air handling units, air curtains, fan coil units, air heaters for factory buildings or cooling fans for forced cooling power converters, generators or telecommunications systems.

Customized manufacturing available



## Specifications

Model	Size (mm)	Poles	Voltage (V)	Frequency (Hz)	Input Power (W)	Current (A)	Max airflow (m <sup>3</sup> /h)	Speed (rpm)	Noise (dBA)	Amb.temp.perm (°C)	Mass (Kg)	Insulation	IP class	Direction
BMF630-1	630	4	380	50	860	1.95	13000	1365	81	-25~+50	24	F	IP54	Suction
BMF630-2	630	4	380	50	860	1.95	13000	1365	81	-25~+50	15	F	IP54	Blow
BMF630-3	630	4	400	50	1900/1400	3.5/2.3	15300/ 11900	1350/1050	81/76	-25~+50	22	F	IP54	Blow
BMF630-4	630	4	380	50	860	1.95	13000	1365	81	-25~+50	24	F	IP54	Suction
BMF630-5	630	4	400	50	1900	3.5	15000	1350	81	-25~+50	31	F	IP54	Suction
BMF630-6	630	4	200	50	1250	5.2	12000	1425	78	-25~+50	31	F	IP54	Suction
BMF630-7	630	4	380	50	2000	4.2	16700	1410	83	-25~+50	36	F	IP54	Blow
BMF630-8	630	4	380	50	2000	4.2	16800	1410	83	-25~+50	36	F	IP54	Blow
BMF630-9	630	4	200	60	1750	6.2	13500	1650	81	-25~+50	31	F	IP54	Suction
BMF630-10	630	4	380	50	1600	3	14600	1380	80	-25~+50	31	F	IP54	Blow
BMF630-11	630	4	380	50	1600	3	14600	1380	80	-25~+50	31	F	IP54	Blow
BMF630-12	630	4	380	50	860	1.95	13000	1365	81	-25~+50	24	F	IP54	Suction
BMF630-13	630	4	380	50	860	1.95	13000	1365	81	-25~+50	24	F	IP54	Suction
BMF630-14	630	4	380	60	950	1.7	12500	1580	81	-25~+50	15	F	IP54	Blow
BMF630-15	630	4	380	50	1250	2.7	9200/ 11140	1425	78	-30~+50	27	F	IP54	Blow
BMF630-16	630	4	230	50	810	3.5	11350	1315	78	-25~+50	15	B	IP54	Blow
BMF630-17	630	4	230	50/60	710/950	3.1/4.15	10600/ 11640	1330/1550	79/81	-25~+50	15	F	IP54	Blow
BMF630-18	630	4	660	50	1900	2	15300	1370	81	-25~+50	31	F	IP54	Suction
BMF630-19	630	4	230/380/440 /460	60	1650/1700	4.7/2.8/ 2.6	13500	1600/1590/ 1650	81	-25~+50	18	F	IP54	Suction
BMF630-20	630	6	400	50	500	1.5	9250	950	75	-25~+50	15	F	IP54	Blow
BMF630-21	630	6	400	50	780	2.7	10200	950	76	-25~+50	24	F	IP54	Suction
BMF630-22	630	6	200	50	760	3.2	10000	920	75	-25~+50	24	F	IP54	Suction
BMF630-23	630	6	400	50	780	1.9	11000	940	75	-25~+50	24	F	IP54	Suction
BMF630-24	630	6	380	60	550	1.3	9000	1100	76	-25~+50	15	F	IP54	Blow
BMF630-25	630	6	230	50	500	2.2	9200	930	75	-25~+50	15	F	IP54	Blow
BMF630-26	630	6	230	50	500	2.2	9200	930	75	-25~+50	24	F	IP54	Blow
BMF630-27	630	6	230	60	580	2.6	9000	1050	76	-25~+50	15	F	IP54	Blow
BMF630-28	630	6	200/230/380 /440/460	60	750/770/760/ 785/800	2.9/1.7/ 1.75/1.8	9300	1090/1120/ 1110/1130/ 1135	75	-25~+50	24	F	IP54	Suction
BMF630-29	630	8	380	50/60	160/200	0.41/0.45	6300/6900	630/650	70/71	-25~+50	13.2	F	IP54	Blow
BMF630-30	630	8	230	50/60	145/180	0.65/0.8	6100/7100	610/670	69/71	-25~+50	13.2	F	IP54	Blow

## BMF650 AC Axial fan

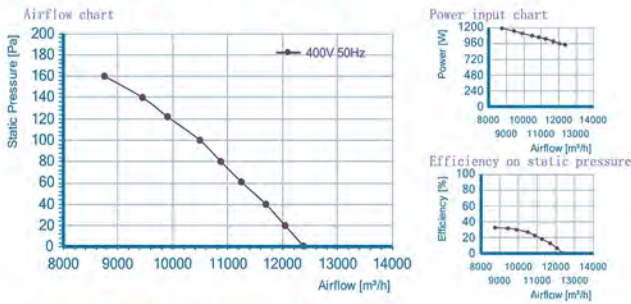
low-noise centrifugal fan with front curved blades, which has low noise, relatively small airflow, and a large increase in static pressure, to save space.

Applications: compact air handling units, air curtains, fan coil units, air heaters for factory buildings or cooling fans for forced cooling power converters, generators or telecommunications systems.

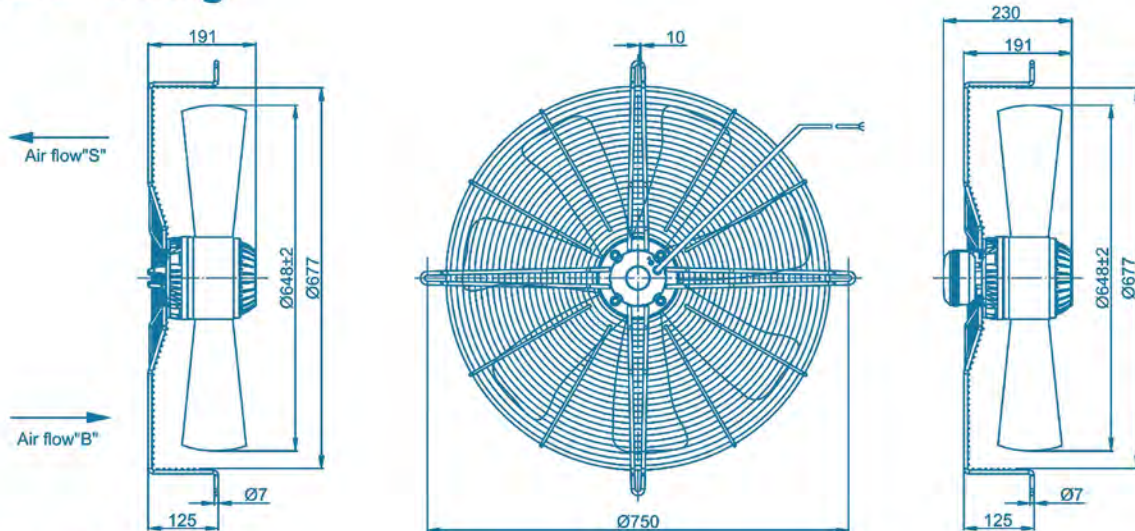
Customized manufacturing available



## Flow Rate Curve



## Outline Drawing



## Specifications

Model	Size (mm)	Poles	Voltage (V)	Frequency (Hz)	Power Input (W)	Current (A)	Max airflow (m³/h)	Speed (rpm)	Noise (dBA)	Amb. temp. perm. (°C)	Mass (Kg)
BMF-650-Z	650	4	400	50	1100	2.3	12500	1330	83	-25~+60	18

## BMF710 AC Axial fan

low-noise centrifugal fan with front curved blades, which has low noise, relatively small airflow, and a large increase in static pressure, to save space.

Applications: compact air handling units, air curtains, fan coil units, air heaters for factory buildings or cooling fans for forced cooling power converters, generators or telecommunications systems.

Customized manufacturing available



## Specifications

Model	Size (mm)	Poles	Voltage (V)	Frequency (Hz)	Input Power (W)	Current (A)	Max airflow (m <sup>3</sup> /h)	Speed (rpm)	Noise (dBA)	Amb.temp.perm (°C)	Mass (Kg)	Insulation	IP class	Direction
BMF710-1	710	4	400	50	2700	4.7	22000	1415	87	-25~+50	43	F	IP54	Suction
BMF710-2	710	4	400	50	2700	4.6	21000	1350	87	-25~+50	33.2	F	IP54	Blow
BMF710-3	710	4	400	50	2700	4.6	21000	1350	87	-25~+50	43.5	F	IP54	Blow
BMF710-4	710	4	400	50	1620	3	15000	1380	86	-25~+50	36	F	IP54	Blow
BMF710-5	710	4	415	50	1650	3.1	15000	1390	86	-25~+50	36	F	IP54	Blow
BMF710-6	710	4	380	50	3900	6.8	24500	1390	87	-25~+50	70	F	IP54	Blow
BMF710-7	710	4	400	50	2700	4.7	21350	1415	87	-25~+50	70	F	IP54	Blow
BMF710-8	710	4	380	50	3900	6.8	24500	1390	87	-25~+50	70	F	IP54	Blow
BMF710-9	710	4	380	50	3900	6.8	24500	1390	87	-25~+50	70	F	IP54	Blow
BMF710-10	710	4	400	50	2700	4.6	21000	1350	87	-25~+50	43.5	F	IP54	Suction
BMF710-11	710	4	380	50	2800	5	21300	1400	85	-25~+50	45	F	IP54	Blow
BMF710-12	710	4	400	50	1650	3	15000	1380	86	-25~+60	29	F	IP54	Blow
BMF710-13	710	4	690	50	3900	4.6	24500	1380	87	-25~+50	70	F	IP54	Blow
BMF710-14	710	4	230/380/460	60	1650/1620/1700	5.0/3.0/2.8	15400	1640/1630/1680	86	-25~+50	36	F	IP54	Blow
BMF710-15	710	6	400	50	1100/700	2.35/1.2	15800/13500	900/760	79/73	-25~+50	29	F	IP54	Blow
BMF710-16	710	6	400	50	1100/700	2.35/1.2	15800/13500	900/760	79/73	-25~+50	39	F	IP54	Blow
BMF710-17	710	6	400	50	1100/700	2.35/1.2	15800/13500	900/760	79/73	-25~+50	39	F	IP54	Suction
BMF710-18	710	6	460	60	1860	3.6	18600	1110	85	-25~+50	41	F	IP54	Blow
BMF710-19	710	8	400	50/60	500/610	1.0/1.2	10500/12000	610/660	71/73	-25~+60	24.6	F	IP54	Blow
BMF710-20	710	8	230	50/60	500/610	2.3/2.7	11500/12000	610/630	71/72	-25~+60	24.6	F	IP54	Blow

## BMF750 AC Axial fan

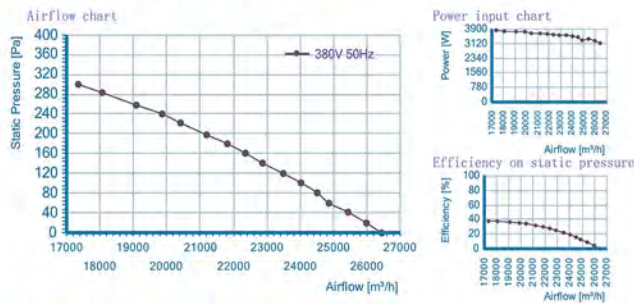
low-noise centrifugal fan with front curved blades, which has low noise, relatively small airflow, and a large increase in static pressure, to save space.

Applications: compact air handling units, air curtains, fan coil units, air heaters for factory buildings or cooling fans for forced cooling power converters, generators or telecommunications systems.

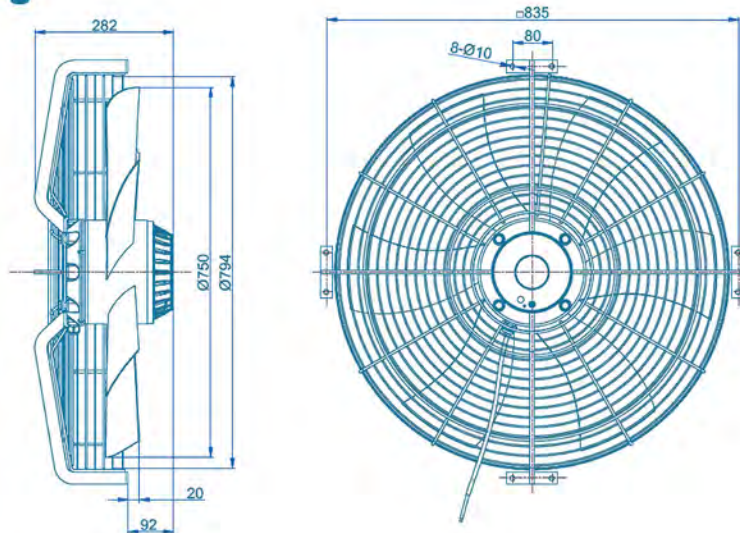
Customized manufacturing available



## Flow Rate Curve



## Outline Drawing



## Specifications

Model	Size (mm)	Poles	Voltage (V)	Frequency (Hz)	Input Power (W)	Current (A)	Max airflow (m³/h)	Speed (rpm)	Noise (dBA)	Amb.temp.perm (°C)	Mass (Kg)
BMF-750-Z	750	4	380	50	4000	7.2	26500	1380	92	-25~+60	45



## BMF800 AC Axial fan

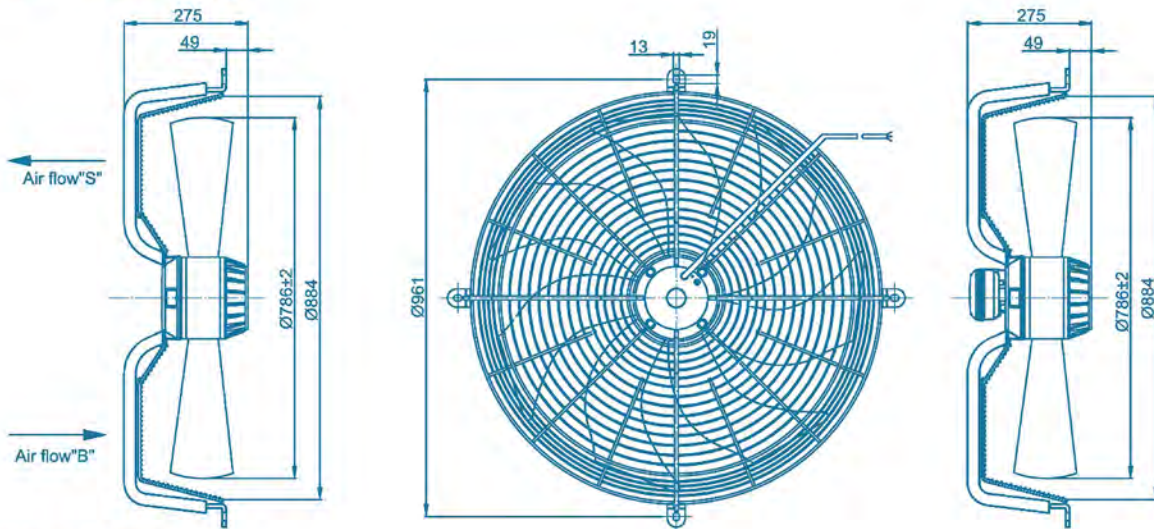
low-noise centrifugal fan with front curved blades, which has low noise, relatively small airflow, and a large increase in static pressure, to save space.

Applications: compact air handling units, air curtains, fan coil units, air heaters for factory buildings or cooling fans for forced cooling power converters, generators or telecommunications systems.

Customized manufacturing available



## Outline Drawing



## Specifications

Model	Size (mm)	Poles	Voltage (V)	Frequency (Hz)	Input Power (W)	Current (A)	Max airflow (m <sup>3</sup> /h)	Speed (rpm)	Noise (dBA)	Amb.temp.perm (°C)	Mass (Kg)	Insulation	IP class	Direction
BMF800-1	800	4	380	50	4000	7	30000	1380	88	-25~+80	58	F	IP54	Blow
BMF800-2	800	4	380	50	5000	10	30000	1410	88	-25~+50	58	F	IP54	Blow
BMF800-3	800	4	380	50	5000	10	30000	1410	88	-25~+50	58	F	IP54	Blow
BMF800-4	800	6	400	50	1650/1060	3.65/1.94	20500/ 16900	880/700	80/74	-25~+50	31	F	IP54	Blow
BMF800-5	800	6	400	50	1980/1150	4.3/1.9	23500/ 19000	890/680	83/78	-25~+70	51	F	IP54	Suction
BMF800-6	800	6	400	50	1650/1060	3.65/1.94	20500/ 16900	880/700	80/74	-25~+50	42	F	IP54	Blow
BMF800-7	800	6	400	50	1650/1060	3.65/1.94	20500/ 16900	880/700	80/74	-25~+50	42	F	IP54	Suction
BMF800-8	800	6	400	50	1900	3.6	22000	875	80	-25~+55	36	F	IP54	Blow
BMF800-9	800	6	460	50	2600	3.8	24100	1020	82	-25~+70	51	F	IP54	Suction
BMF800-10	800	6	460	50	2600	3.8	24100	1020	82	-25~+60	51	F	IP54	Blow
BMF800-11	800	6	460	50	2700	4.5	22900	1070	83	-25~+50	36	F	IP54	Blow
BMF800-12	800	8	400	50/60	600/700	1.3/1.4	12000/ 13000	630/660	71/73	-25~+60	27.3	F	IP54	Blow
BMF800-13	800	12	400	50/60	350/380/180/190	1.0/0.95/0.45/0.43	10500/11500/ 8100/7500	430/470/ 330/320	65/67/6 3/63	-25~+60	27.3	F	IP54	Blow

## BMF910 AC Axial fan

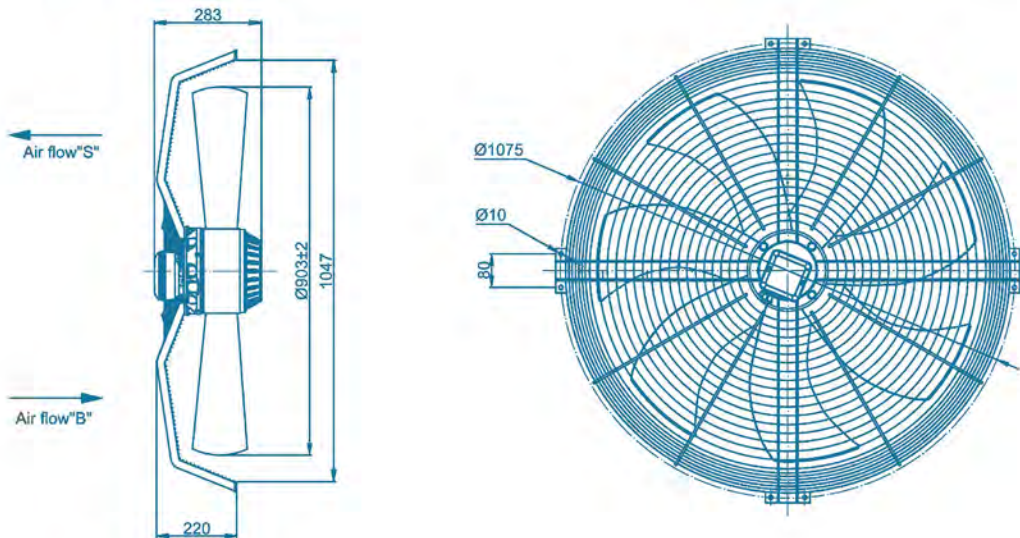
low-noise centrifugal fan with front curved blades, which has low noise, relatively small airflow, and a large increase in static pressure, to save space.

Applications: compact air handling units, air curtains, fan coil units, air heaters for factory buildings or cooling fans for forced cooling power converters, generators or telecommunications systems.

Customized manufacturing available



## Outline Drawing



## Specifications

Model	Size (mm)	Poles	Voltage (V)	Frequency (Hz)	Input Power (W)	Current (A)	Max airflow (m <sup>3</sup> /h)	Speed (rpm)	Noise (dBA)	Amb.temp.perm (°C)	Mass (Kg)	Insulation	IP class	Direction
BMF910-1	910	6	400	50	2700	5	28000	910	82	-25~+60	54	F	IP54	Blow
BMF910-2	910	6	400	50	2450/1550	4.7/2.6	25500/21000	870/670	82/75	-25~+50	50.5	F	IP54	Blow
BMF910-3	910	6	400	50	2450/1550	4.7/2.6	25500/21000	870/670	82/75	-25~+50	50.5	F	IP54	Suction
BMF910-4	910	6	380	50	2700	5	28000	910	82	-25~+60	42	F	IP54	Suction
BMF910-5	910	6	400	60	3000/2000	5.1/3.4	29000/24000	1040/830	86/79	-25~+60	42	F	IP54	Blow
BMF910-6	910	6	400	50	2450/1550	4.7/2.6	25500/21000	870/670	82/75	-25~+50	38	F	IP54	Blow
BMF910-7	910	8	400	50	760/540	2.25/1.1	19000/15000	680/480	73/67	-25~+60	33.4	F	IP54	Blow